



www.gnithyd.ac.in

GURU NANAK INSTITUTE OF TECHNOLOGY

City Office: B2, 2nd Flr, Above Bata, Vikrampuri Colony, Karkhana Road, Secunderabad-50009, Telangana, India.
Ph: +91-40-6632 3294, 6517 6117, Fax: +91-40-2789 2633

Campus: Ibrahimpatnam, R.R. District, Hyderabad-501506, Telangana, India. Ph: (0/95) 8414-20 21 20/21

Date: 11.02.2019

CIRCULAR

Technical Training for III B. Tech students are starting from 25th Feb, 2019 onwards. All HODs and Placements coordinators have to manage the trainings and ensure 95% attendance all through the sessions.

All Mentors need to send the compiled feedback report to Dr.B.Vijaya Kumar, HOD at hodme.gnit@gniindia.org daily. Mentors are advised to take care of PNR (Students not participating in training).

Agenda:

1. Introduction to CATIA.


HOD-ME



Accredited by
National Board of Accreditation
(CSE, ECE, ME)



Approved by
AICTE - New Delhi



Affiliated to
JNTU - Hyderabad

Hyderabad's First
campus to become

GOLD PARTNER



www.gnithyd.ac.in

GURU NANAK INSTITUTE OF TECHNOLOGY

City Office: B2, 2nd Flr, Above Bata, Vikrampuri Colony, Karkhana Road, Secunderabad-50009, Telangana, India.
Ph: +91-40-6632 3294, 6517 6117, Fax: +91-40-2789 2633

Campus: Ibrahimpatnam, R.R. District, Hyderabad-501506, Telangana, India. Ph: (0/95) 8414-20 21 20/21

SYLLABUS FOR CATIA

SNO.	TOPIC COVERED	DURATION (Hours)
1	INTRODUCTION TO CATIA	3
2	DRAWING SKETCHES IN THE SKETCHER WORKBENCH	3
3	CONSTRAINING SKETCHES AND CREATING BASE FEATURES	3
4	REFERENCE ELEMENTS AND SKETCH-BASED FEATURES	3
5	CREATING DRESS-UP AND HOLE FEATURES	3
6	EDITING FEATURES	3
7	TRANSFORMATION FEATURES	3
8	WORKING WITH THE WIREFRAME AND SURFACE DESIGN WORKBENCH	3
9	EDITING AND MODIFYING SURFACES	3
10	ASSEMBLY MODELING	3
11	WORKING WITH THE DRAFTING	3


HOD-ME



Hyderabad's First
campus to become

GOLD PARTNER



GURU NANAK INSTITUTE OF TECHNOLOGY

City Office: B2, 2nd Flr, Above Bata, Vikrampuri Colony, Karkhana Road, Secunderabad-50009, Telangana, India.
Ph: +91-40-6632 3294, 6517 6117, Fax: +91-40-2789 2633

www.gnithyd.ac.in Campus: Ibrahimpatnam, R.R. District, Hyderabad-501506, Telangana, India. Ph: (0/95) 8414-20 21 20/21

CATIA Technical Training student list

Sl.No.	Roll No.	Name of the student	Year
1	16831A0301	A B S KEERTHANA	III
2	16831A0302	A BHEEMUDU	III
3	16831A0304	ACHA KRANTHI KUMAR	III
4	16831A0305	ADITHYA NAGILLA	III
5	16831A0306	AMAN KUMAR SINGH	III
6	16831A0307	AMARAVAJI LOKESH KUMAR	III
7	16831A0308	A MADHU SUDHAN REDDY	III
8	16831A0310	ASEEM KUMAR DHIR	III
9	16831A0311	AZMEERA MAMATHA	III
10	16831A0312	B CHENNA KESHAVULU	III
11	16831A0313	BAIRI RAJESH	III
12	16831A0314	BAKARAM PRAVALIKA REDDY	III
13	16831A0315	BALGARI RAMESH	III
14	16831A0316	BANDI SPANDANA	III
15	16831A0317	BANGARI PRIYATHAM	III
16	16831A0318	BANNE LAXMAN RAO	III
17	16831A0319	BANOTH DILEEP NAIK	III
18	16831A0320	BARIKI ASHOK	III
19	16831A0321	BATTHULA SRINIVAS REDDY	III
20	16831A0322	BHEEMAGANI SAIKRISHNA	III
21	16831A0323	BHONAGIRI SAI SATHVIK	III
22	16831A0324	BOLLI NAGARAJU	III
23	16831A0325	BONEPALLI NANI LAWRENCE	III
24	16831A0327	BUSHA SAI RAM	III
25	16831A0329	CHAKKIRALA SWATHI	III
26	16831A0330	CHENTHA KUNTALA RAJ KUMAR	III
27	16831A0331	CHERUKU PAVAN KUMAR	III
28	16831A0332	CHINTHA MAHENDER	III
29	16831A0333	CHOWDHARI SHASHIDHAR	III
30	16831A0334	DATRIKA SRI HARSHITHA	III


HOD-ME

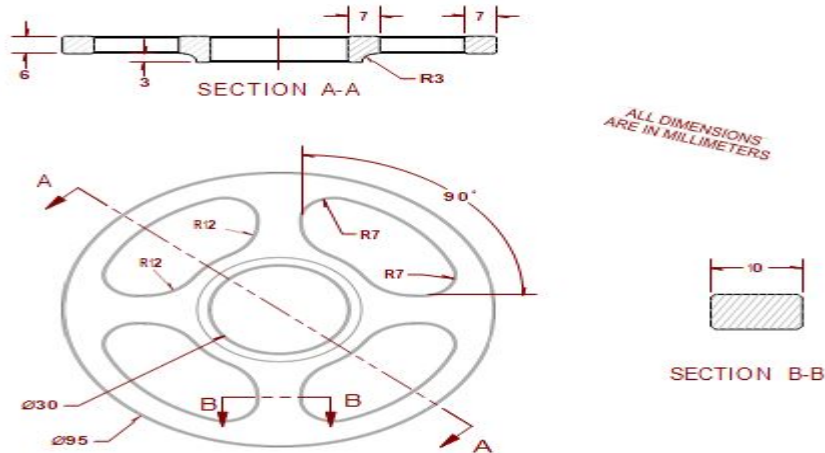


Technical Training Exam on Catia Software (A.Y-2018-19)

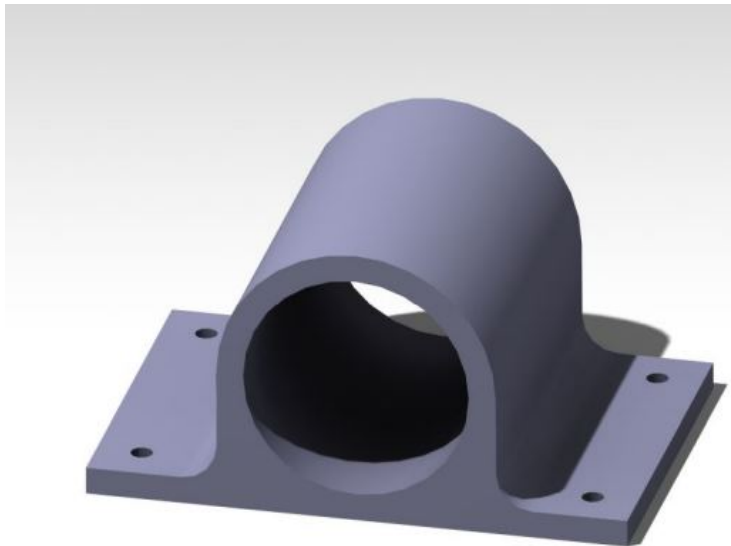
Answer All the Questions

2x10=20 Marks

1. Draw the given 2D model into 3D model by using Catia



2. Draft the given Solid by using Catia



[Signature]
HOD-ME



GURU NANAK INSTITUTE OF TECHNOLOGY

City Office: B2, 2nd Flr, Above Bata, Vikrampuri Colony, Karkhana Road, Secunderabad-50009, Telangana, India.
Ph: +91-40-6632 3294, 6517 6117; Fax: +91-40-2789 2633
www.gnithyd.ac.in Campus: Ibrahimpatnam, R.R. District, Hyderabad-501506, Telangana, India. Ph: (0/95) 8414-20 21 20/21

Department of Mechanical Engineering

ANSYS Technical Training student Marks list 2015-16

Sl.No.	Roll No.	Name of the student	Marks	Pass/Fail
1	13831A0372	NIRAV S.PATEL	18	
2	13831A0373	NUNAVATH RAMESH	17	
3	13831A0374	P ALEN THOMAS	14	
4	13831A0377	PENDURU ADITHYA	15	
5	13831A0378	PERAKA MANOJ	16	
6	13831A0379	PERIKETI HARISH KUMAR	14	
7	13831A0380	PILLALAMARRI PALLAVI	18	
8	13831A0384	PRATURI KAVYA AAHLADA	15	
9	13831A0385	PUTTI BHARATH KUMAR	16	
10	13831A0386	RAMIREDDY BHARATH KUMAR REDDY	15	
11	13831A0388	RANGU SRAVAN KUMAR	7	FAIL
12	13831A0389	RIKKALA SANTHOSH	14	
13	13831A0390	RUPIREDDY VASANTHI	16	
14	13831A0391	S S ASHRITH	18	
15	13831A0392	SANDENAMENA DURGESHMANI	18	
16	13831A0393	SANTOSH.M	6	FAIL
17	13831A0394	SHAHBAZ AKBAR	16	
18	13831A0396	SHERI SHRAVAN REDDY	16	
19	13831A0397	SHUBHANKAR	7	FAIL
20	13831A0398	SIDDHARTH GIRI	14	
21	13831A0399	SINGIREDDY VINOD KUMAR	15	
22	13831A03A0	SIRISANI VINEETH REDDY	15	
23	13831A03A2	SOHAIL SHAKIL SHEIKH	15	
24	13831A03A4	SYED MUZEEB	15	
25	13831A03A5	THOUDABOINA GOUTHAM	7	FAIL
26	13831A03A6	TIRUMALA DHARANTEJA	15	
27	13831A03A7	P S UMASRI	15	
28	13831A03A8	UPPULETI VINAY	14	
29	13831A03A9	VADDE NAVEEN	15	
30	13831A03B0	VALLAMPATLA HARIHAR AKHIL	15	
31	13831A03B2	YAGGOLI UDAY KUMAR	14	
32	13831A03B3	YENDAPALLY REHAN	14	
33	14835A0301	BALGU RAJU	14	
34	14835A0302	CHAKRALA MOUNIKA	15	
35	14835A0303	G . RAJU GOUD	16	
36	14835A0304	G MANOHAR NAIDU	14	
37	14835A0305	GODA ABHILASH REDDY	18	
38	14835A0306	GOPAGANI MUKESH	15	
39	14835A0307	HANMANDLA SHRAVAN KUMAR	16	
40	14835A0308	JOGU SURESH	15	
41	14835A0309	KUSUMA PRASHANTH	7	FAIL
42	14835A0310	LANKA V S KIRAN TEJA	14	
43	14835A0312	MIRALA NARESH	16	
44	14835A0313	NARIGIRI PRAVEEN KUMAR	18	
45	14835A0314	PERASANI SAI ARAVIND	18	
46	14835A0315	SIVANGI TARAKESH	6	FAIL
47	14835A0316	THAVIDABOINA MOHAN	16	
48	14835A0317	THOTA SRIKANTH	16	
49	14835A0318	VAGGU VAMSHI	7	FAIL
50	14835A0319	VAIKUNTAM RAVI KUMAR	18	

[Signature]
2015-16



Approved by
AICTE - New Delhi



Affiliated to
JNTU - Hyderabad

Hyderabad's First
campus to become
 Microsoft
GOLD PARTNER



www.gnithyd.ac.in

GURU NANAK INSTITUTE OF TECHNOLOGY

City Office: B2, 2nd Flr, Above Bata, Vikrampuri Colony, Karkhana Road, Secunderabad-50009, Telangana, India.
Ph: +91-40-6632 3294, 6517 6117, Fax: +91-40-2789 2633

Campus: Ibrahimpatnam, R.R. District, Hyderabad-501506, Telangana, India. Ph: (0/95) 8414-20 21 20/21

Department of Mechanical Engineering

CATIA COURSE Summery

- In this course, you will learn how to utilize the core functionality enhancements in Catia.
- First, you will become familiar with using and customizing the new ribbon interface in Catia.
- The new measure and sectioning interfaces will also be examined. Next, you will become familiar with the Sketcher workflow and reference enhancements.
- Part modeling enhancements to features such as Extrude, Corner Chamfer, Sweeps, Blends, and Datum Curves will then be examined.
- You will also learn about new and enhanced Assembly capabilities, such as selecting multiple components, the new relationship constraints, and enhancements for dragging components.
- Then, you will examine the new Table and Balloon functionality for 2-D drawings, and review various detailing enhancements.
- At the end of each module, you will complete a set of review questions to reinforce critical topics from that module. At the end of the course, you will complete a course assessment in Catia intended to evaluate your understanding of the course as a whole.


HOD-ME



Accredited by
National Board of Accreditation
(CSE, ECE, ME)



Approved by
AICTE - New Delhi



Affiliated to
JNTU - Hyderabad

Hyderabad's First
campus to become

Microsoft
GOLD PARTNER



CANTER CADD

B.N.Reddy Nagar, Hyderabad- 500070

Certificate Of Course Completion

This certificate is presented to PERAKA.MANOJ Of GNIT, who has successfully completed Technical Training course on "Ansys" held from 06.10.2015 to 16.10.2015 and found the student performance to be excellent.



Mr. G.V.Ravi Teja
CEO of Canter CADD